

# Rainier SUMMIT

4K-Compatible Multiviewer with Router



# Rainier SUMMIT

## 4K-Compatible Multiviewer with Integrated Router

— Up to 24 SDI (3G/HD/SD) / CVBS (NTSC/PAL) inputs per chassis



# Rainier Summit Feature Highlights

**4K UHD multiviewer** offers Ultra HD (3840x2160@30) video clarity and sharpness for wide range of monitoring applications.

**Modular card-based** enclosure with up to 6 hot-swappable multiviewer cards in a 2RU chassis (Summit-2); 1RU standalone model is available for small-scale monitoring demands (Summit-S).

**Mix-and-match** of SDI (3G Level A&B/HD/SD) and CVBS source signals with extensive range of resolutions (up to 1080p60).

**Integrated router** enables flexible signal routing and repetition across multiple displays; no external upstream routers required.

**Internal cascade architecture** allows grouping of individual multiviewer cards and displays up to 24 sources over a single monitor output.

**Scalable configurations** expand multiviewing beyond a single chassis; cascading up to 25 cards from multiple Rainier Summit facilitates monitoring of 100 sources on one screen.

**Separate HDMI & SDI outputs** feature independently configured multiview videos; any source signal can be directly routed to any or multiple SDI outputs.

**Intuitive control** via Avitech Phoenix-Q software; dynamic video/graphic sizing, positioning, and display cascading by simple drag-and-drop on the GUI.

**Genlock support** synchronizes all multiviewer outputs (from one or multiple Rainier Summit) to the external sync reference.

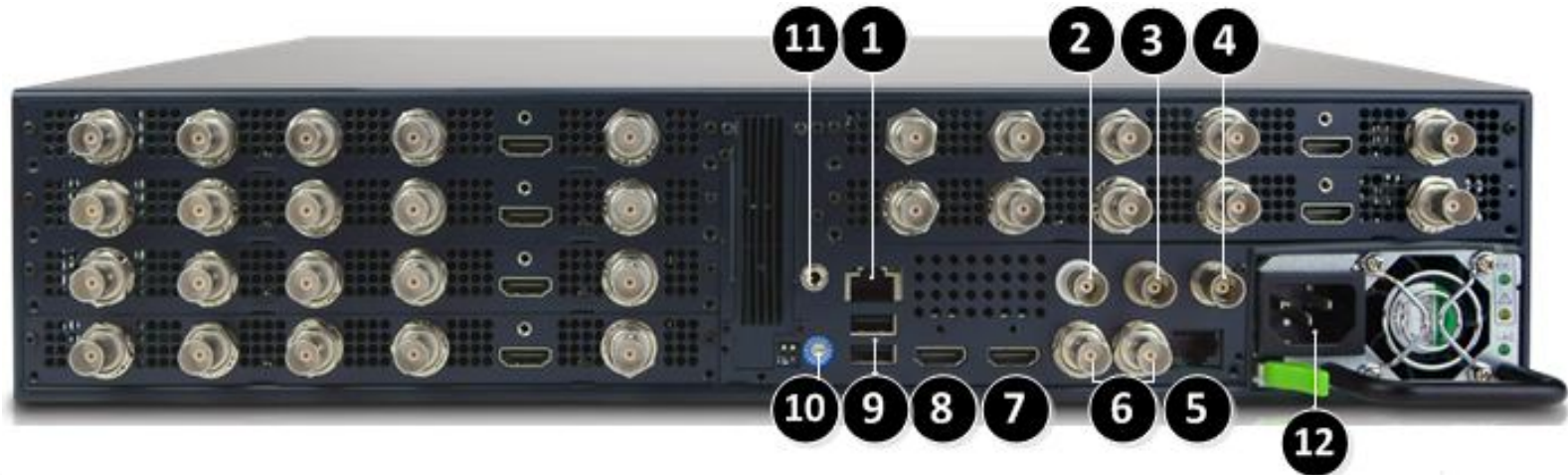
# Rainier Summit (Summit-2) Overview – Multiviewer Card



Fully loaded Rainier Summit-2 accommodates 6 multiviewer cards and 1 Control Board

- 1 BNC connectors for SDI (3G Level A&B/HD/SD) / CVBS (NTSC/PAL) video source signals
  - Supports up to 16-channel embedded audio, with 8 channels selectable for on-screen monitoring
- 2 HDMI output port for HDMI or DVI multiview monitoring (resolution up to 4K30 UHD)
  - Supports 8-channel embedded audio (for HDMI output)
- 3 BNC connector for SDI output
  - Supports up to 16-channel embedded audio
  - Independently configured multiview video with resolution up to 1080p60
  - Routed output for any of the 24 source signals

# Rainier Summit (Summit-2) Overview – Control Board & PSU



- 1 Ethernet (IP) port for window layout control, preset save & recall, and system configuration via Windows-based Phoenix-Q software
- 2 BNC connector for external Linear Time Code (LTC3) or Vertical Interval Time Code (VITC) input
- 3 BNC connector for Genlock signal output
- 4 BNC connector for Genlock source input
- 5 RJ-50 port for external Linear Time Code inputs (LTC1 & LTC2) and communication via RS-232 interface
- 6 BNC connectors for externally cascaded SDI input signals from upstream Rainier Summit (cascade input 1 & cascade input 2)
- 7 HDMI input port for externally cascaded HDMI input signal from upstream Rainier Summit
- 8 HDMI output port for in-system GUI display (future option)
- 9 USB-A ports for in-system GUI's mouse & keyboard control (future option)
- 10 Rotary dial for unit ID in cascading multiple units
- 11 Audio signal output (stereo) for headphone or external speaker connection
- 12 100-240V AC power supply

# Rainier Summit (Summit-S) Overview



- 1 BNC connectors for SDI (3G/HD/SD) / CVBS (NTSC/PAL) video source signals  
-Supports up to 16-channel embedded audio, with 8 channels selectable for on-screen monitoring
- 2 HDMI output port for HDMI or DVI multiview monitoring (resolution up to 4K30 UHD)  
-Supports 8-channel embedded audio (for HDMI output)
- 3 BNC connector for SDI multiview output (resolution up to 1080p60)  
-Supports up to 16-channel embedded audio
- 4 Ethernet (IP) port for window layout control, preset save & recall, and system configuration via Windows-based Phoenix-Q software
- 5 100-240V AC power supply

# 4K Ultra HD Multiviewer

Rainier Summit takes various combinations of inputs and offers pristine multiview displays with Ultra HD (3840x2160@30) clarity. It manages with flexible layout and an abundance of on-screen graphics, text, and alarms with equivalent 4K sharpness. Easily configured via the control software, Rainier Summit is ideal for various production, studio monitoring, and command-and-control operations.



# Router-Integrated Flexibility

Built-in router enables routing of any source signal across multiple displays (unlimited signal repetition across both HDMI and SDI monitors). Requiring no external routers or switchers, Rainier Summit delivers a single multiviewing solution that ensures optimized monitoring flexibility and simple system installation.



Router integration enables displaying any source signal on any output monitor (HDMI & SDI) with unlimited signal repetition



# Independent HDMI & SDI Routing

Each card features independently configured HDMI and SDI multiview outputs (with resolutions up to 4K30 and 1080p60 respectively). Moreover, any source signal can be directly routed to SDI outputs for local/remote preview or production usage. Affording more than simple mirrored-output solution, Rainier Summit is dedicated to both high-end multiview monitoring and flexible signal routing/distribution throughout the facility.



HDMI output displays multiview video with full range of resolutions up to 4K30

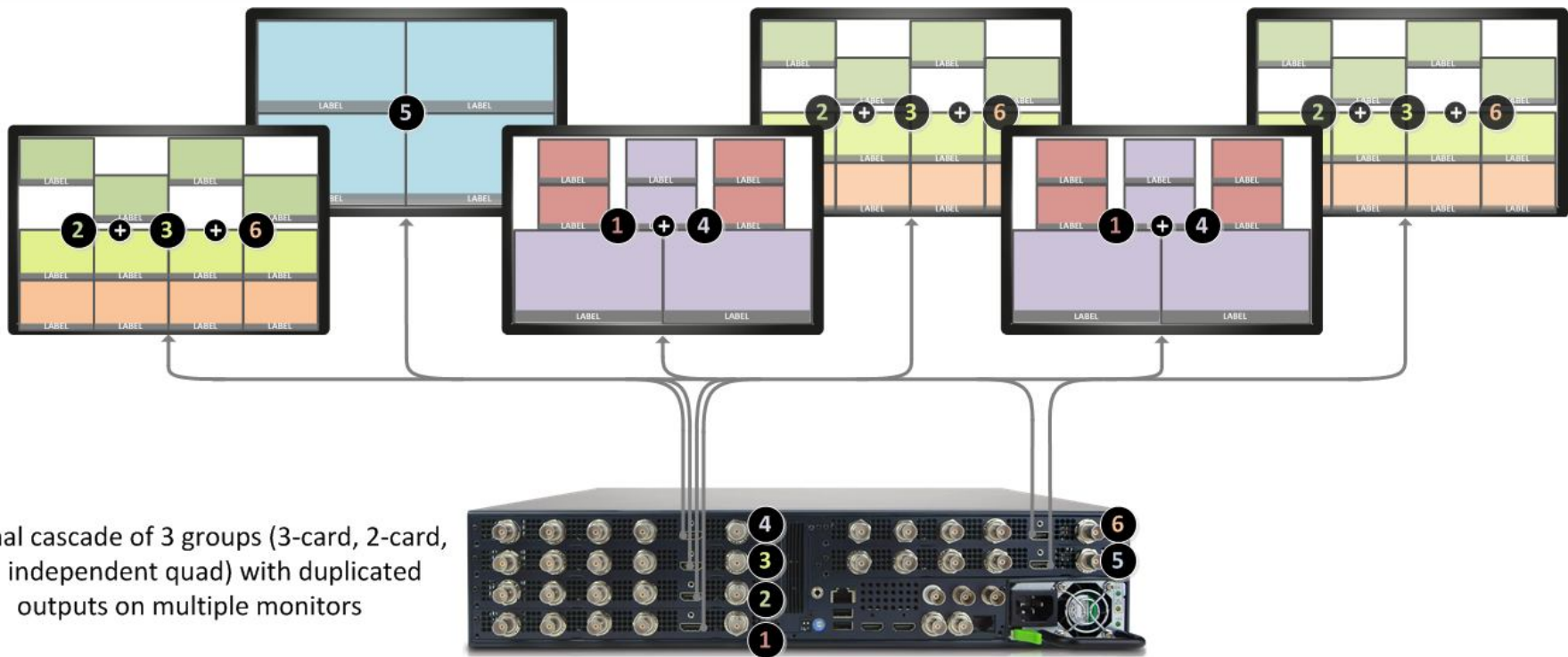


Independent of the HDMI output, SDI output displays multiview video up to 1080p60; or routed output for any source signal



# Internal Cascade Configuration

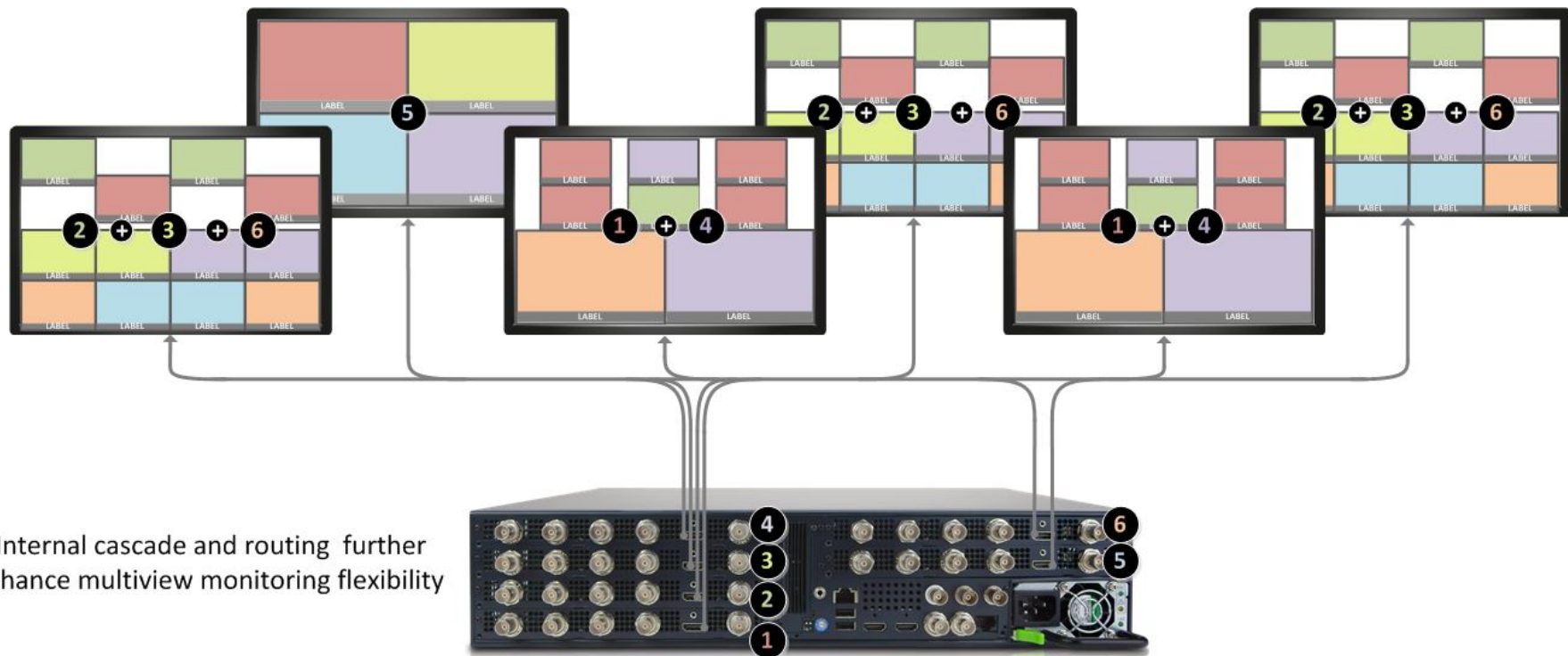
Rainier Summit's internal cascading architecture manages grouping of individual cards to expand multiviewing capability. By simple drag-and-drop on the GUI, user can combine all the sources from cascaded cards and monitor through any respective outputs. Cascading all 6 cards enables monitoring up to 24 sources on a single screen, or duplicated onto multiple screens without additional distribution cabling.



Internal cascade of 3 groups (3-card, 2-card, and independent quad) with duplicated outputs on multiple monitors

# Internal Cascade Configuration

Internal multiple path cascading with Integrated routing control further enhances multiviewing flexibility. User can monitor any combination of sources, from 4 up to 24 on the same screens regardless of which input port or multiviewer card each source enters.

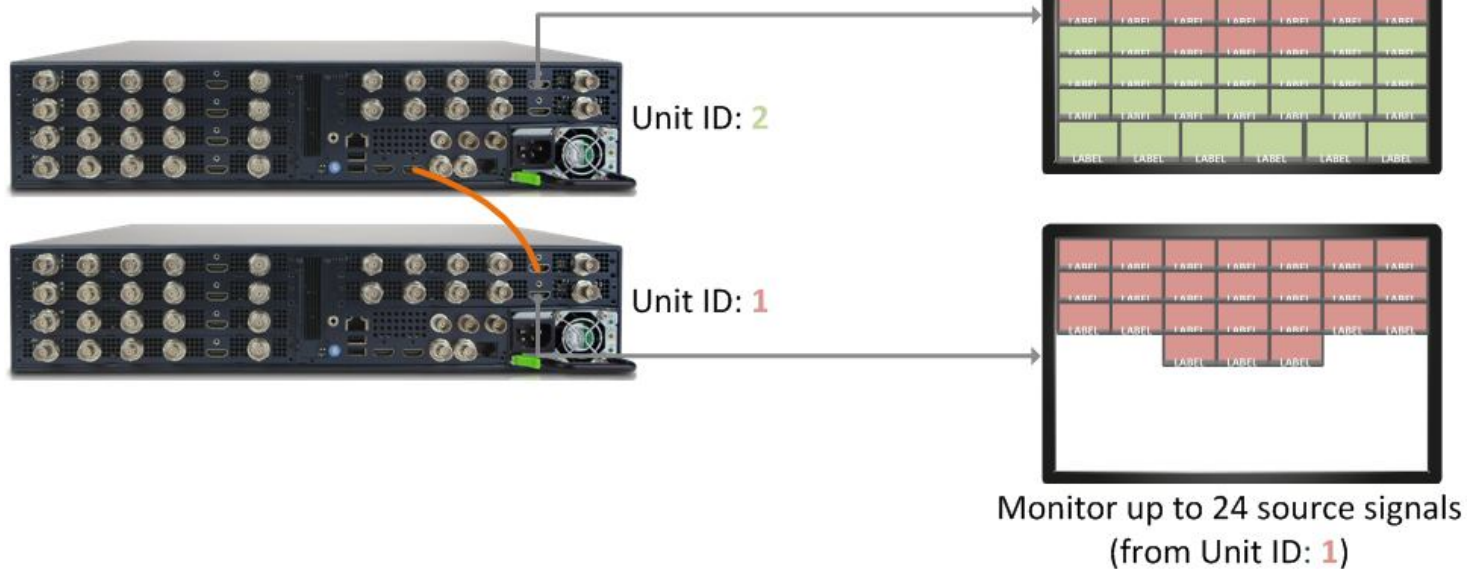


# External Cascade Configuration

Scalable architecture allows multiviewer cards from multiple Rainier Summit to be externally cascaded. Connecting 2 Rainier Summit via HDMI/SDI cabling adds sources from the first unit (Unit ID: 1) to the second one (Unit ID: 2). Two Rainier Summit with up to 12 cards cascaded facilitate monitoring of 48 sources on one screen.

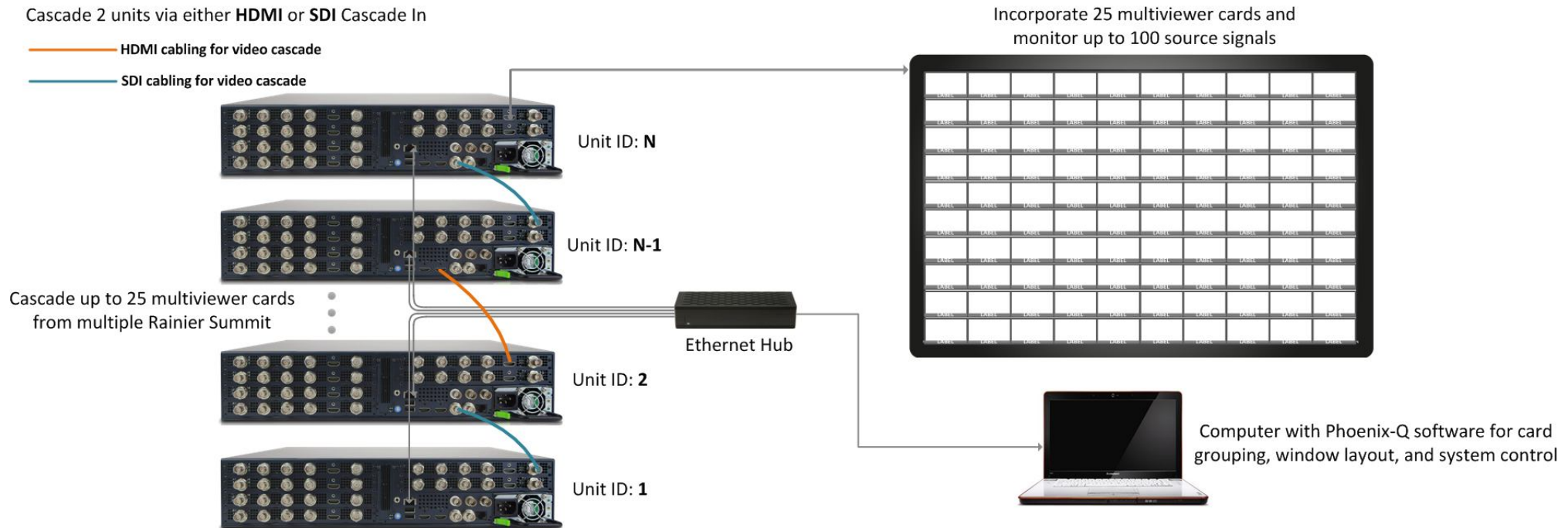
Cascade 2 units via either **HDMI** or **SDI Cascade In**

— HDMI cabling for video cascade



# External Cascade Configuration

Utilizing external cascade enables user to group 25 multiviewer cards from different Rainier Summit and monitor up to 100 sources on a single screen (multiple screens when duplicated). This future-proofing system expansion dynamically addresses the changing monitoring requirements and minimizes the need to replace the existing systems. All cascaded units are managed and controlled as a single integrated multiviewer via one instance of Phoenix-Q software.



# Standalone Rainier Summit-S

Retaining 4K30 UHD video quality as the modular 2RU model, Rainier Summit-S supports mix-and-match of 4 multi-rate SDI/CVBS inputs and both HDMI & SDI outputs. A compact and standalone multiviewer, Rainier Summit-S aims for small-scale monitoring applications with quality and efficient space-usage at a premium.





# Contact Avitech

Phone: 425.885.3863

Toll Free: 1.877.AVITECH

Fax: 425.885.4726

15377 NE 90th Street Redmond, WA 98052, USA

[www.avitechvideo.com](http://www.avitechvideo.com)

[sales@avitechvideo.com](mailto:sales@avitechvideo.com)

Specifications and data are subject to change without notice.

Copyright ©2015 Avitech. All Rights Reserved.